

2.00mm

(0.078'') PITCH CONNECTOR

Wire to Board Connectors

Wafer

Straight

Dip Type

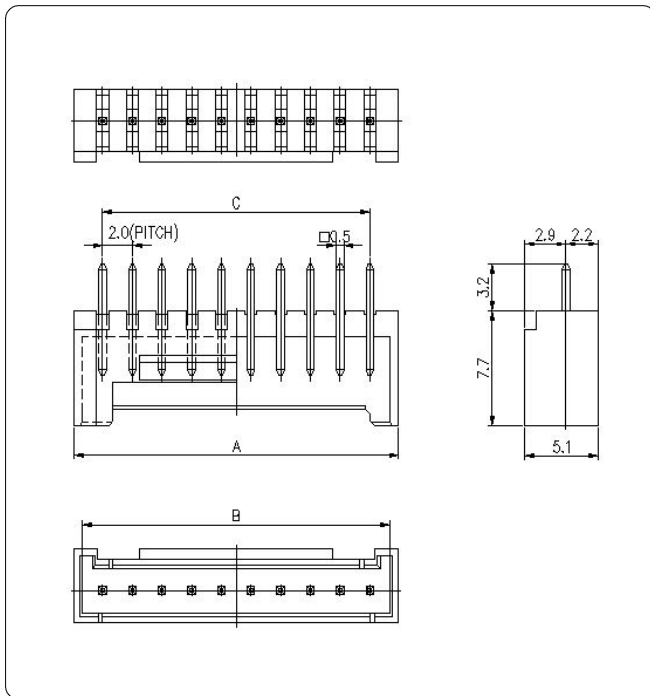


Material

I/NO	DESCRIPTION	MATERIAL
1	WAFER	NYLON 66, UL94V-0
2	PIN	Brass, Tin-plated

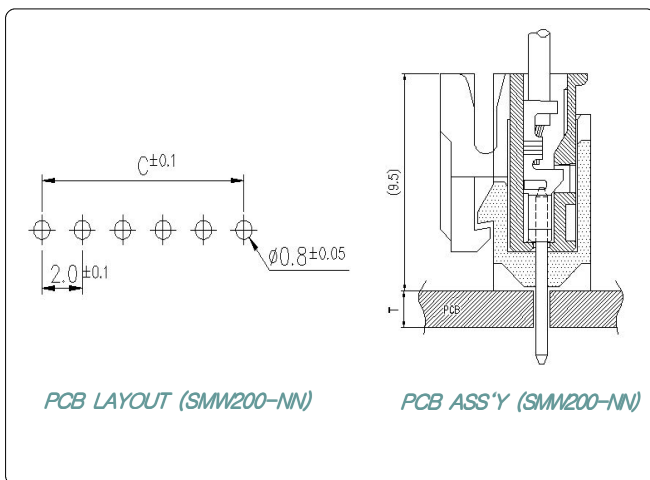
Available Pin

PARTS NO.	A	B	C
SMW200-02	5.98	4.75	2.0
SMW200-03	7.98	6.75	4.0
SMW200-04	9.98	8.75	6.0
SMW200-05	11.98	10.75	8.0
SMW200-06	13.98	12.75	10.0
SMW200-07	15.98	14.75	12.0
SMW200-08	17.98	16.75	14.0
SMW200-09	19.98	18.75	16.0
SMW200-10	21.98	20.75	18.0
SMW200-11	23.98	22.75	20.0
SMW200-12	25.98	24.75	22.0
SMW200-13	27.98	26.75	24.0
SMW200-14	29.98	28.75	26.0
SMW200-15	31.98	30.75	28.0
SMW200-16	33.98	32.75	30.0



Specification

ITEM	SPEC
Voltage Rating	AC/DC 250V
Current Rating	AC/DC 3A
Operating Temperature	-25°C ~ +85°C
Contact Resistance	30mΩ MAX
Withstanding Voltage	AC1000V/1min
Insulation Resistance	1000MΩ MIN
Applicable Wire	-
Applicable P.C.B	1.2 ~ 1.6mm
Applicable FPC/FFC	-
Solder Height	-
Crimp Tensile Strength	-
UL FILE NO	E108706



PCB LAYOUT (SMW200-NN)

PCB ASS'Y (SMW200-NN)